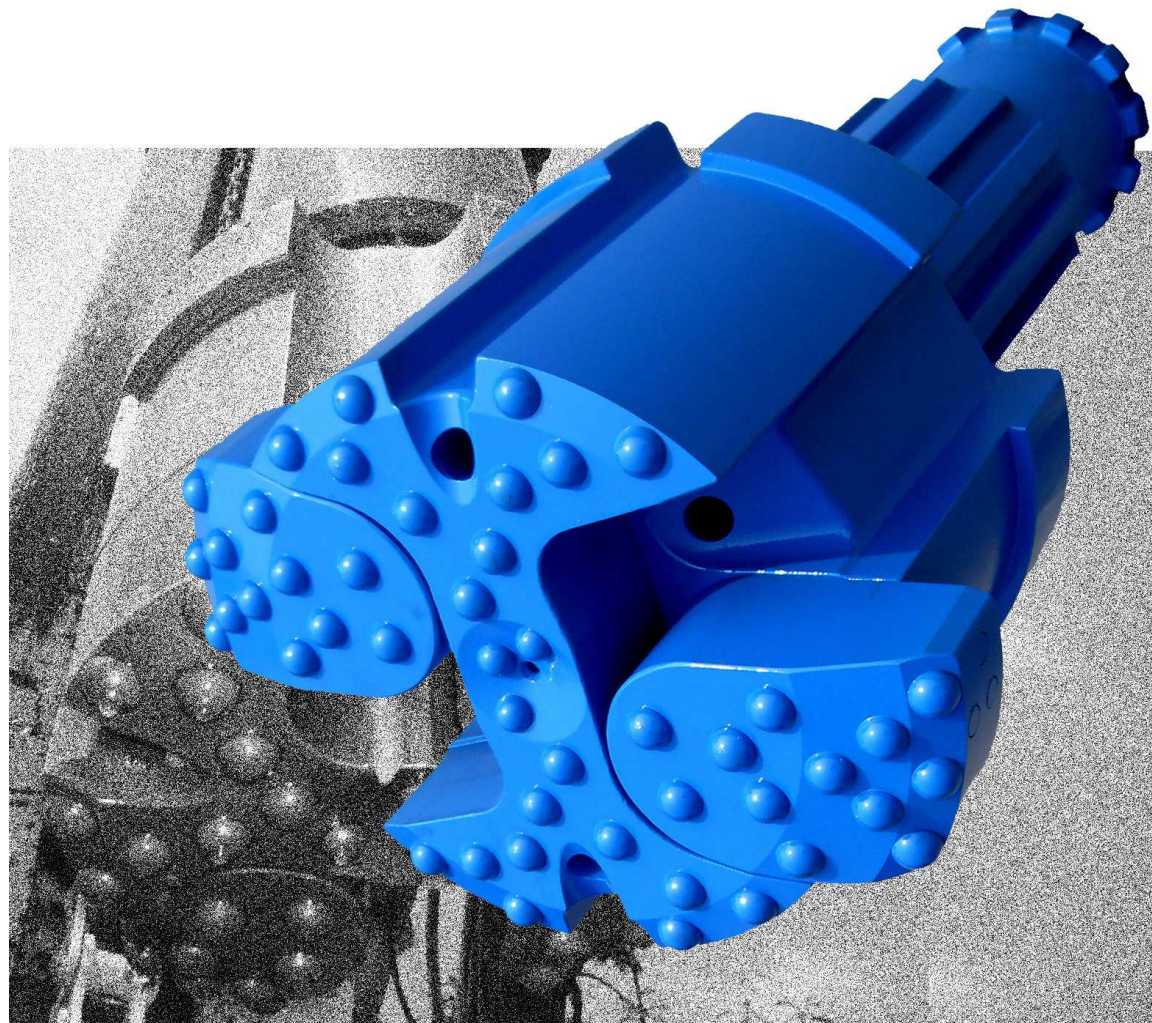


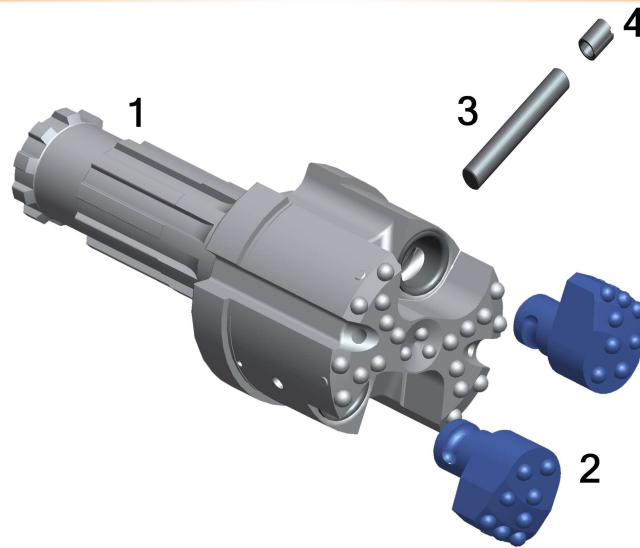
PITMEC

THE PCON-E 272 CONCENTRIC UNDERREAMING SYSTEM



CASING SIZE 323MM OD X 291MM ID DRILLING DIA. 345MM

PNEUMEC PCON-E 272 CONCENTRIC UNDERREAMING SYSTEM



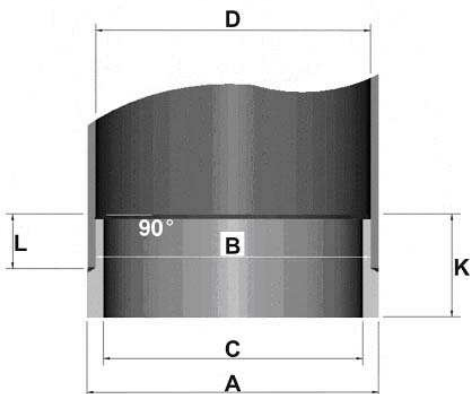
PCON-E 272 PARTS LIST

1.	DRIVER BIT SD10 SHANK	UGD272S10PCE
2.	REAMER(2)	UBS315PCE
3.	LOCKING PIN	USP31550PCE
4.	SPLIT PIN	USP31551PCE
5.	COMPLETE SYSTEM	UCS272S10PCE

PCON-E 272 SPECIFICATIONS

UPPER BODY DIAMETER	288MM	CLOSED DIAMETER	272MM
REAMING DIAMETER	345MM	CASING SIZE	323MM OD X 291MM ID
SYSTEM LENGTH	620MM	SYSTEM WEIGHT	170KG

PCON-E 272 CASING SHOES



DIA. A	323MM
DIA. B	288MM
DIA. C	275MM
DIA. D	291MM
L	55MM
K	110MM



PNEUMEC COMPANY LIMITED

1st Floor, Tin On Sing Comm. Bldg., 41-43 Graham St. Central, H.K.

Tel : (852) 2272 9922

Website : www.pneumec.com

Fax : (852) 2272 9982

email : info@pneumec.com